

Series 500/500 EOL

Elliptical Over Linear *Power Cascade*



The Difference

- **High “G” Force**
- **50.6 ft² [4.7 m²] screening area**
- **68" [1727 mm] weir height**
- **Simple design**
- **Rugged and reliable**
- **High performance**
- **Low maintenance**
- **Quick screen panel changes**
- **Small footprint**
- **No lubrication**
- **Low noise**

VGS Configuration Optional

High “G” force, high volume

Introducing the 500/500 EOL, RIG OIL LLC's latest advance in high volume elliptical over linear cascading units. RIG OIL LLC has designed this unit to achieve optimum performance. Even in the most challenging applications, the 500/500 EOL achieves consistently high throughput. Processing rates vary with slurry content, percent solids and viscosity. Bottom shaker is capable of “G” forces up to 8.0 “G.”

Exceptional reliability

Simplicity is the essence of every RIG OIL LLC design. Permanently sealed vibrators make lubrication systems totally unnecessary. Low 80-dB motor vibration eliminates the need for hearing protection. Each of the unit's six pre-tensioned screen panels can be installed or replaced independently of each other. Replacement of each screen panel takes less than three minutes and requires only a light to medium-weight hammer.

Lowest maintenance cost

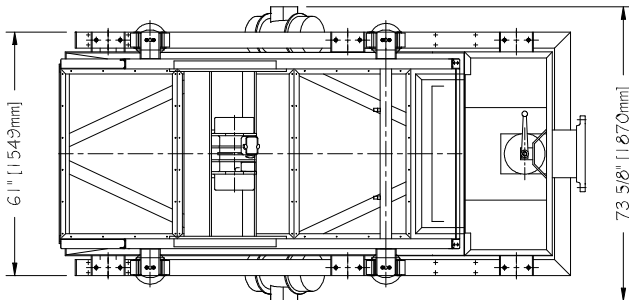
RIG OIL LLC equipment have the lowest operational and maintenance costs in the industry. Routine maintenance is extremely minimal. Simple visual checks of screen panels, deck rubbers, inflation of air spring assemblies and quarterly torque checks of the vibrator motor bolts are all that is required. RIG OIL LLC keeps you on-line for decades of trouble-free performance. It's that simple.

Series 500/500 EOL

Elliptical Over Linear *Power*Cascade

General Specifications

Series:	500ELS/500B
Model:	EOL
Motors:	Four each 1800, 1500 or 1200 rpm exp. proof or non-exp. proof available
Bearings:	Permanently sealed and lubricated
Motion:	Elliptical (upper), linear (lower) 0.13" A (1800), 0.156" A (1500), 0.23" A (1200), 4.5 "G"
VGS:	Force adjustable to 8.0 "G" maximum on lower basket
Deck adjustment:	Adjustable 0° to 5° uphill (lower)
Screens:	Six each 29" x 42" pretensioned panels with Wedgelok fasteners
Screening area:	50.6 ft ² [4.7 m ²]
Overall dimensions:	131 7/8" L x 73 5/8" W x 86 3/8" H 3350mm x 1870mm x 2193mm



APPROXIMATE WEIGHT = 5600 LBS

