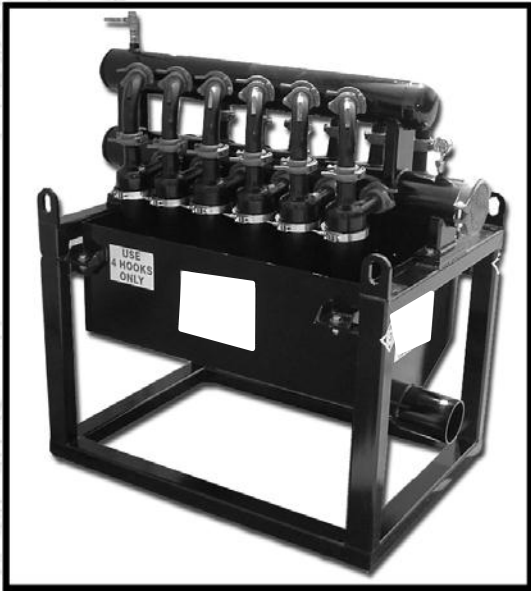


SSR Desilter S

State of the Art Solids Control Equipment



**Units Available With
1 to 20 Cones/Header**

Technical Data

Series:	SSR
# of cones available:	1 to 20 per header
Inlet size:	Size depending on number of cones
Outlet size:	Size depending on number of cones
Overall dimensions:	Size depending on number of cones
Cone capacities:	60 GPM [227 lpm] @ 40 psi [2.8kg/cm ²]
Cone construction:	High durameter cast polyurethane

Hydrocyclone

The RIG OIL LLC desilter units are the result of an intensive research and development program initiated in 1950. Each hydrocyclone represents a product of advanced design, careful engineering, quality materials and finest workmanship.

Manifold

Each hydrocyclone is attached to its manifold with a 2" [5.04cm] victaulic inlet and outlet. A 0 to 60 psi [4.2 kg/cm²] pressure gauge measures the inlet pressure for proper operation. This manifold is mounted on an oilfield type skid with a solids discharge trough feeding into an outlet.

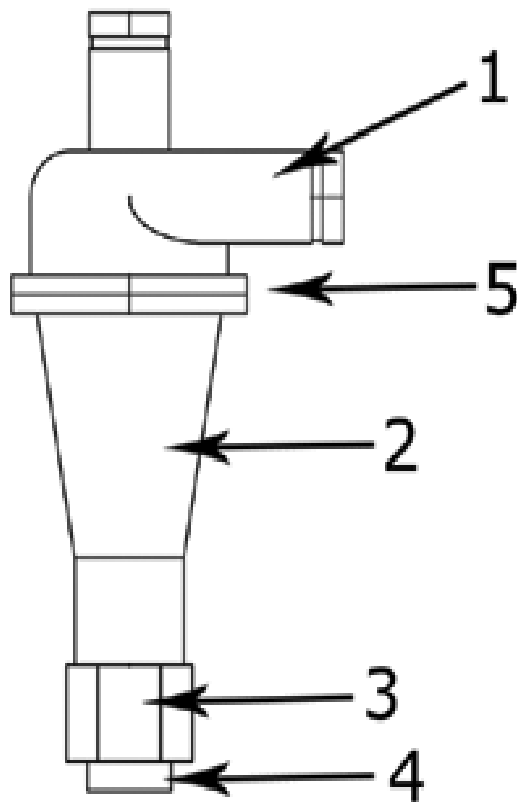
The Difference

- *Simple design*
 - *Rugged and reliable*
 - *High Performance*
 - *Low maintenance*
 - *Small footprint*
-
- *High volume hydrocyclones*
 - *Roughneck friendly*

SSR Desilter S Cone

Parts List

4" Desilter Cone Assembly
Part # - SSR281



Item No	Part No	Description	Weight
1	SSR281INLET	STANDARD 4" CONE INLET	3
2	SSR281CONE	STANDARD 4" CONE BODY	3
3	SSR281NUT	STANDARD 4" CONE NUT	0.5
4	SSR281APEX	STANDARD 4" CONE APEX	0.25
5	SSR281CLAMP	STANDARD 4" CONE CLAMP	0.5