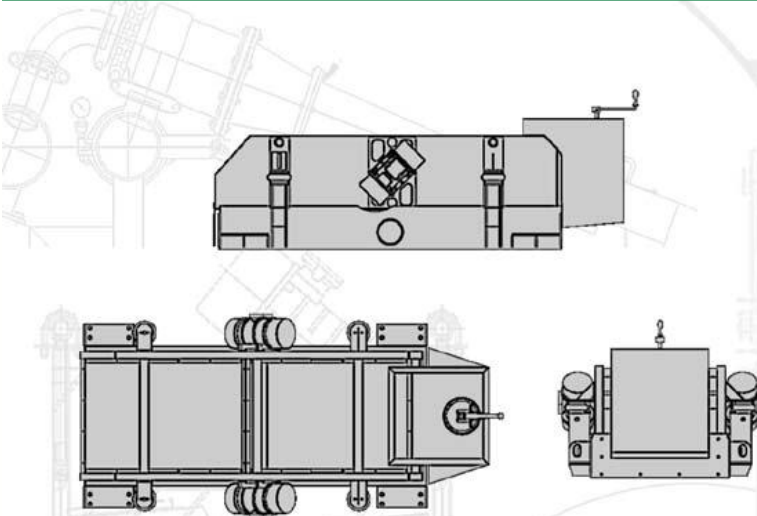


Series 20L B

Linear Power Shaker



The Difference

- **High “G” Force**
- **16.9 ft² [1.57 m²] screening area**
- **Simple Design**
- **Rugged and Reliable**
- **High performance**
- **Low maintenance**
- **Quick screen panel changes**
- **Small footprint**
- **No lubrication**
- **Low noise**

VGS Configuration Optional

High speed, high volume

Introducing the 20L B, RIG OIL LLC’s latest advance in high “G” force, high volume linear motion shakers. RIG OIL LLC has designed this unit to achieve optimum performance. Even in the most challenging applications, the 20L B achieves consistently high throughput. Processing rates vary with slurry content, percent solids and viscosity.

Exceptional reliability

Simplicity is the essence of every RIG OIL LLC design. Permanently sealed vibrators make lubrication systems totally unnecessary. Low 80-dB motor vibration eliminates the need for hearing protection. Each of the unit’s two pretensioned screen panels can be installed or replaced independently of each other. Replacement takes less than five minutes and requires only a light to medium-weight hammer.

Lowest maintenance cost

Simplicity pays off. RIG OIL LLC equipment have the lowest operational and maintenance costs in the industry. Routine maintenance is extremely minimal. Simple visual checks of screen panels, deck rubbers, inflation of air spring assemblies, and quarterly torque checks of the vibrator motor bolts are all that is required. RIG OIL LLC keeps you on-line for decades of trouble-free performance. It’s that simple!

Series 20L B

Linear Power Shaker

General Specifications

Series:	Series 20L
Model:	B
Motors:	Two each 1800 rpm or 1200 rpm exp. proof or non-exp. proof available
Bearings:	Permanently sealed and lubricated
Motion:	Linear, 0.13" A (1800), 0.23" A (1200), 4.5 "G"
VGS:	Force adjustable to 9.0 "G" maximum
Deck Adjustment	Adjustable 0° to 5° uphill
Screens:	Two each 29" x 42" pretensioned panels with Wedgelok fasteners
Screening area:	169 sq. ft.

Overall dimensions: 105 1/2" L x 52 1/2" W x 41" H
2680mm x 1334mm x 1041mm

